

Walter option list 2015

option catalog Walter Titanium



Options for Scarab sweepers

21.07.2015

Walter option list 2015

Option list

OW-01 General

OW-01-0003 cruise plus
OW-01-0020 hopper cleaning HP
OW-01-0021 hopper cleaning LP (non Scarab)
OW-01-0022 hopper cleaning LP outside connection
OW-01-0023 water blow out adapter Scarab LP
OW-01-0024 frame end cover with registration plate
OW-01-0025 locker Merlin rubber revetted

OW-02 control panel

OW-02-0001 small aluminium control panel
OW-02-0002 medium aluminium control panel
OW-02-0003 large aluminium control panel

OW-03 Worklights

OW-03-0001 worklight rear
OW-03-0002 worklight rear suction
OW-03-0003 worklight frontbroom
OW-03-0004 worklight front

OW-04 HP Pumps

OW-04-0001 HP Pump 125 bar, 163 Liter/min
OW-04-0002 HP Pump 160 bar, 127 Liter/min
OW-04-0003 HP Pump 200 bar, 104 Liter/min
OW-04-0006 HP Pump 200 bar, 208 Liter/min
OW-04-0007 HP Pump 250 bar, 160 Liter/min
OW-04-0008 HP Pump 330 bar, 120 Liter/min
OW-04-0009 feed pump 500 liters / min
OW-04-0010 delivery and feed option for
OW-04-0011 water level indicator
OW-04-0013 pressure area HP Pump stainless steel
OW-04-0014 water blow out adapter HP

OW-05 Frontbrush

OW-05-0001 Weed brush right
OW-05-0002 Weed brush left
OW-05-0003 Both sided front brush plus
OW-05-0004 Both sided front brush
OW-05-0005 weed brush front swivel
OW-05-0006 Frontbrush up/down only

OW-06 Safty

OW-06-0001 EU outline marking
OW-06-0002 DIN 30710 red/white marking
OW-06-0003 tacho check and adjustment

Walter option list 2015

OW-07 other options

- OW-07-0001 rear foodboard right
- OW-07-0002 rear foodboard left

OW-08 Airport options

- OW-08-0001 suctionbox 3m between wheels

OW-09 Rear suction 180 mm

- OW-09-0001 rear suction 180 mm hose
- OW-09-0002 right side bar rear suction 180mm
- OW-09-0003 left side bar rear suction 180mm
- OW-09-0004 Rotorjets 8x rear suction 180mm

OW-10 Rear suction 250 mm hose

- OW-10-0001 rear suction 250 mm hose
- OW-10-0002 right side bar rear suction 250mm
- OW-10-0003 left side bar rear suction 250mm
- OW-10-0004 pneumatic tilt
- OW-10-0005 coated suctionbox, inlet and defelctor

OW-11 modification brush gear Scarab

- OW-11-0001 brush behind suction box right
- OW-11-0002 brush behind suction box left
- OW-11-0003 right side broom tilt adjustment
- OW-11-0004 left side broom tilt adjustment
- OW-11-0005 aux brush hydraulic in/out
- OW-11-0006 aux brush electric tilt

OW-12 HP spay bars

- OW-12-0001 high pressure front spray bar pneum. movable
- OW-12-0002 high pressure front spray bar fixed
- OW-12-0003 pneumatic ball vave 3/8"
- OW-12-0004 pneumatic ball valve 1/2"
- OW-12-0005 pneumatic ball valve 3/4"
- OW-12-0006 pneumatic ball valve 1"
- OW-12-0007 HP front spay bar protection red/white
- OW-12-0008 rubber HP front spay bar protection

OW-13 Hot water system

- OW-13-0001 180 kW hot water system
- OW-13-0002 360 kW hot water system
- OW-13-0003 emulsion front spay bar

Walter option list 2015

General

OW-01-0003 Cruise plus

By pressing the cruise control button, the current speed is maintained. Use the plus and minus buttons, to increase or decrease the speed in small steps.

The display shows the current speed and the voltage applied to the coils of the drive pump power is shown in mA.

The connection from the control panel to the Scarab CANbus will be made by a controller.



activate cruise control



increase speed



reduce speed



Walter option list 2015

General

OW-01-0020 hopper cleaning HP

OW-01-0021 hopper cleaning LP (non Scarab)

OW-01-0022 hopper cleaning outside connection

3 nozzle inside the hopper to clean it with HP, LP (OW-04-0009) pump.



Walter option list 2015

Control panel

OW-02-0006 Small control panel

Small control panel to mount in the cab. Connection via CANbus. Backlight and LED for each button to show the funktion. useable for Frontbrush

10 buttons

2 joystick optional with button

2 potentiometer



Walter option list 2015

Control panel

OW-02-0002 medium control panel

Medium control panel to mount in the cab. Connection via CANbus. Backlight and LED for each button to show the funktion.

useable for HP pump; rear suction; frontspraybar; simple frontbrush

15 buttons

1 joystick optional with button

1 potentiometer

1 display



Walter option list 2015

Control panel

OW-02-0003 large control panel

Large control panel to mount in the cab. Connection via CANbus. Backlight and LED for each button to show the funktion.

useable for HP pump; rear suction; frontspraybar; Frontbrush; Rotorjet

25 buttons

3 joystick optional with button

3 potentiometer

1 display



Walter option list 2015

Control panel

Walter option list 2015

HP Pumps

OW-04-001 HP Pump single 125 bar, 163 l/min

OW-04-002 HP Pump single 160 bar, 127 l/min

OW-04-003 HP Pump single 200 bar, 104 l/min

Uraga P3-10 high-pressure pump. Hydraulically driven by 280 bar 90 l / min. Steeples adjustable. Feed pump required if pump is mounted above the tank level, or more than 250 bar features (type A2). In conjunction with display print the water pressure is shown. Dry running protection either through the feed pump pressure (2 bar min) or thumbed through water level switch from Scarab CANbus.

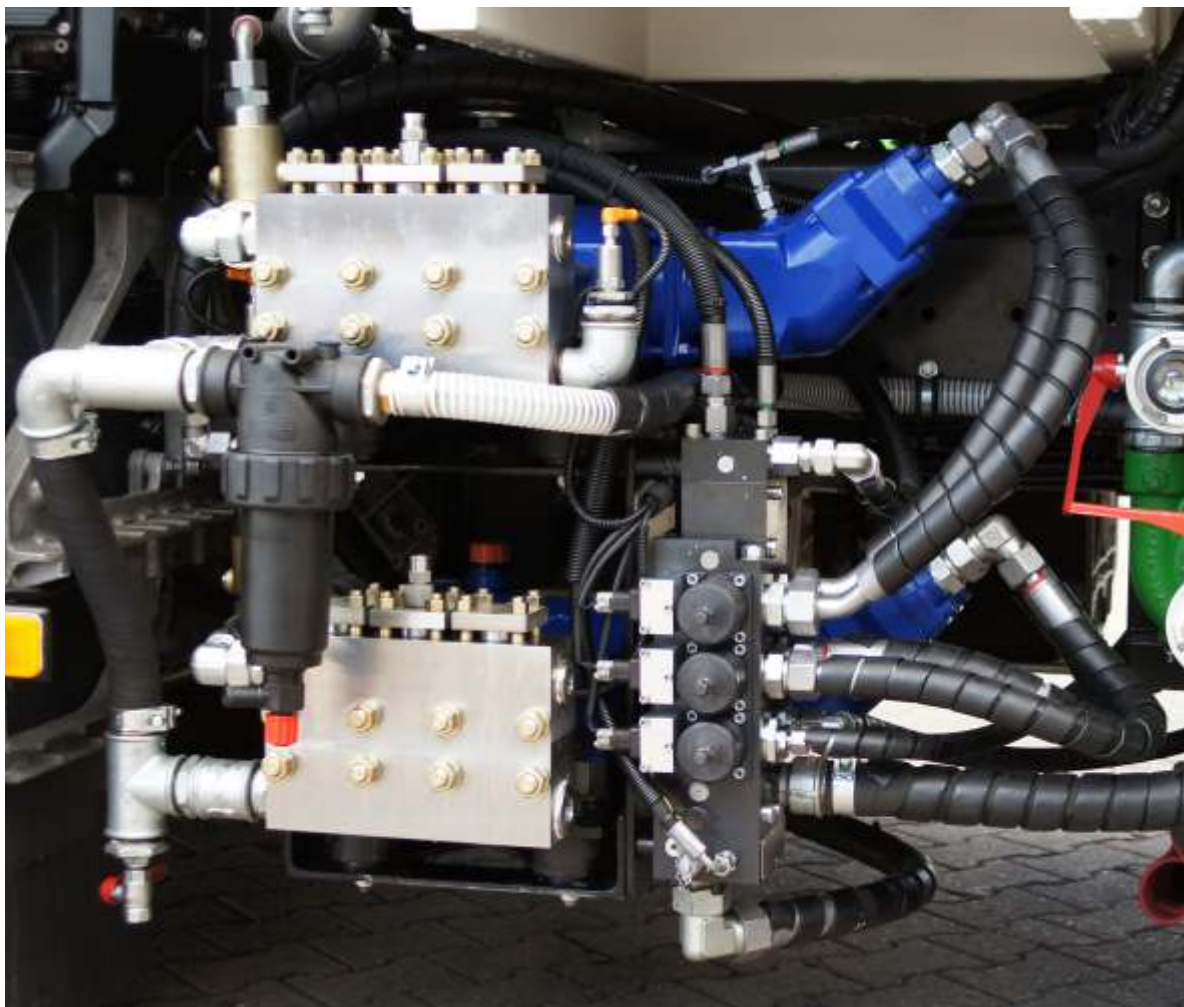


Walter option list 2015

HP Pumps

OW-04-006 HP Pump dual 200 bar, 208 l/min
OW-04-007 HP Pump dual 250 bar, 160 l/min
OW-04-008 HP Pump dual 330 bar, 120 l/min

2x Uraca P3-10 High-pressure pump in parallel mode, driven by hydraulic 280 bar, 180 min liters. Infinitely variable. Feed pump required if pump is mounted above the tank level, or more than 250 bar features (type A2). In conjunction with display print the water pressure is shown. Dry running protection either through the feed pump pressure (2 bar min) or thumbed through water level switch from Scarab CANbus. The 330 bar Version has a stainless steel head.



Walter option list 2015

HP Pumps

OW-04-009 feed pump 500 l/min

Feed pump for high-pressure pump. For HP pumps required, which have a pressure larger than 250 bar or mounted not deeper than the water tank.

Type FMC200 HDY 206

Capacity 500 l / min at 3 bar

With the option OW-04-0010 water can also be delivered externally or fed into the system.



Walter option list 2015

HP Pumps

OW-04-010 delivery and feed option for OW-04-0009

Port for dispensing water from the internal water tank.
Connection to pump water from an external tank to a desired location.
Self-priming pump is not respect. (Self-priming pumps available on request)

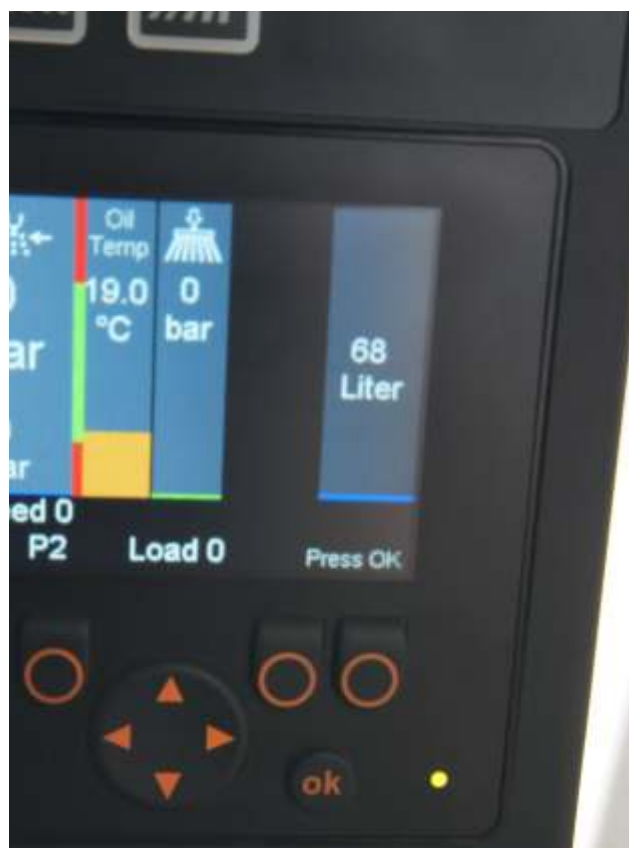


Walter option list 2015

HP Pumps

OW-04-011 water level indicator

Water level indicator how shows the water level in display in 10 Liter steps. The level is measured by a microwave sonde in the water tank.



Walter option list 2015

HP Pumps

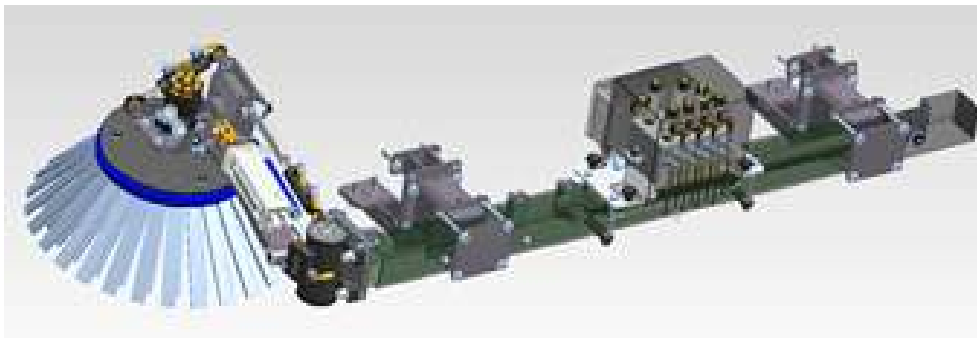
Walter option list 2015

Frontbrush

OW-05-0001 weed brush right

OW-05-0002 weed brush left

Weed brush right, 800 mm infinitely variable telescopic hydraulic motor through 90°. Whisk in 2-axis tilt-adjustable. Infinitely variable speed. 2 water jets are powered by the LP water system of Scarab.



Walter option list 2015

Frontbrush

OW-05-0003 both side frontbrush plus

Weed brush both sides, 300 mm infinitely variable telescopic hydraulic motor through 90 °. Right broom tilt adjustable in 2 axes. Infinitely variable speed. 2 water jets per side that are supplied by water from the LP system of Scarab. The difference between the plus and the standard version is that the right broom is hydraulically adjustable in 2 axes.



Walter option list 2015

Frontbrush

OW-05-0005 weed brush front swivel

Weed brush right, 800 mm infinitely variable telescopic hydraulic motor through 90°. Whisk in 2-axis tilt-adjustable. Infinitely variable speed. 2 water jets are powered by the LP water system of Scarab. The brush can swivel to the front in parking position.



Walter option list 2015

Frontbrush

Walter option list 2015

Airport options

OW-08-001 suction box 3m brush behind

3m wide suctionbox between wheels with brush behind. The brush has one core. Flap in front for snow of big suff.



Walter option list 2015

Walter option list 2015

rear suction 180 mm hose

OW-09-0001 rear suction 180mm hose

Rear system with built in washing bar mounted at the rear. Two 180mm diameter suction hoses. Pneumatic automatic quick release valve. Only available on Magnum Plus hopper.



Walter option list 2015

rear suction 180 mm hose

OW-09-0002 right side bar rear suction 180mm hose

OW-09-0003 left side bar rear suction 180mm hose

HP side bars pneumatic up and down, manual 3/8" ball valve.



Walter option list 2015

rear suction 250 mm

OW-10-0001 rear suction Oval 250mm

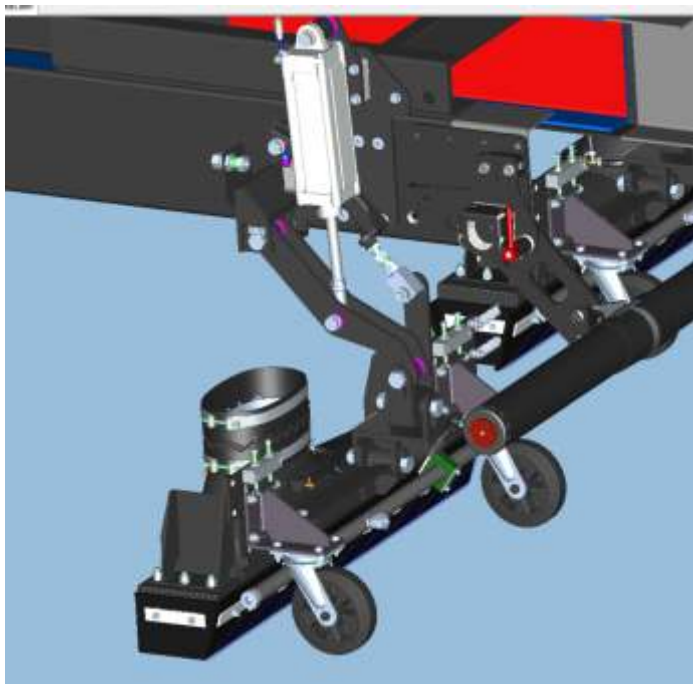
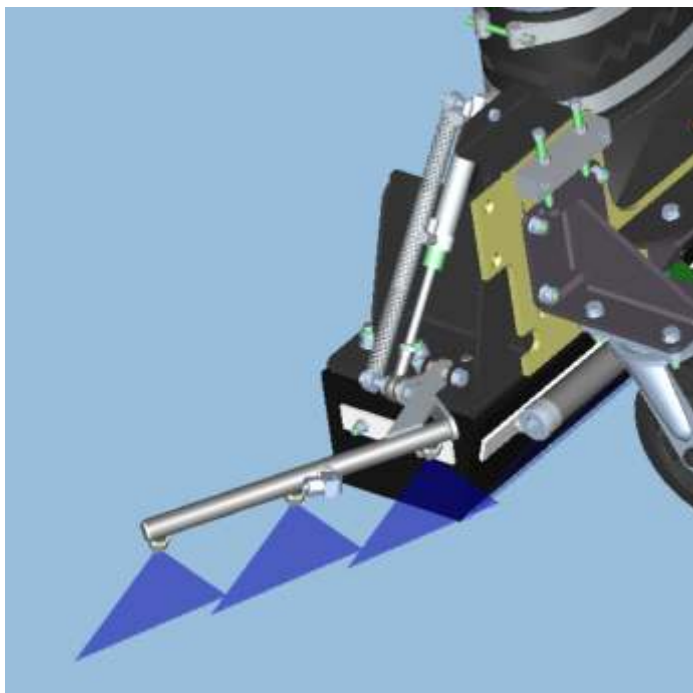
Rear system with hp spay bar mounted at the rear. Two 250mm diameter suction hoses.
Pneumatic automatic quick release valve.
4 LP nozzle inside.
Only available on Magnum Plus hopper.



Walter option list 2015

rear suction 250 mm

OW-10-0002 right side bar rear suction oval
OW-10-0003 left side bar rear suction oval



Walter option list 2015

rear suction 250 mm

OW-10-0005 coated suction box, inlet and defelctor

Polyurethan coating 1cm
inside of the suction box
inlet tube
deflector inside the hopper



Walter option list 2015

rear suction 250 mm

OW-10-0004 pneumatic tilt rear suction Oval 250mm

Pneumatic tilt of the rear suction 250mm.



Walter option list 2015

modification brush gear Scarab

OW-11-0001 brush behind suction box left
OW-11-0002 brush behind suction box left

Additional brushg behind the suction box.
suction box adjustable in hight
brush adjustable in hight
hp Sprayb ar behind brush
adjustable brush speed



Walter option list 2015

modification brush gear Scarab

OW-11-0003 right side broom tilt adjustment
OW-11-0004 left side broom tilt adjustment

An electric cylinder adjusts the tilt of the side broom in one axis, controlled from the console.

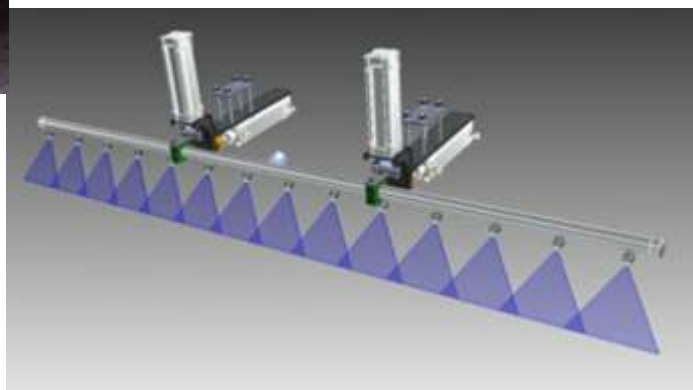


Walter option list 2015

HP spay bars

OW-12-0001 high pressure front spay bar neum movable

Front washing bars, held on 4 pneumatic cylinders. Swivel to right and left, move up and down.



Walter option list 2015

HP spray bars

- OW-12-0003 pneumatic ball valve 3/8"
- OW-12-0004 pneumatic ball valve 1/2"
- OW-12-0005 pneumatic ball valve 3/4"
- OW-12-0006 pneumatic ball valve 1"

Ball valve with top mounted pneumatic swivel cylinder.

Walter option list 2015

Hot water system

OW-13-0001 180 kW hot water system
OW-13-0002 360 kW hot water system

2x 90 kW heater, driver by diesel to heat 35 l/min at 200 bar pressure



Walter option list 2015

Hot water system

OW-13-0003 emusion front spray bar



Walter option list 2015

